



### DIFFERENTIAL PRESSURE TRANSDUCERS NPXD SERIES

Pressure transmitters of the NPXD Series are appropriated to pressure difference measurements of liquids, vapours and gases, also aggressive. Transmitters can be used to measurements of another parameters, like a liquid level or liquid flow defined by the pressure difference measurement.

#### CHARACTERISTIC

- very good stability and accuracy
- small size and weight
- high performance
- good reliability

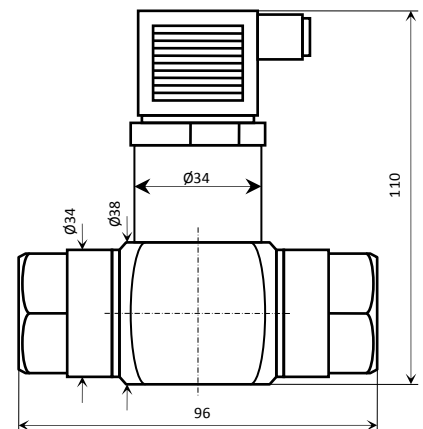
#### CONSTRUCTION

The basic element of this series is a piezo-resistive sensor placed in case made of stainless steel. Electronic board converts signal from this sensor to one of standard analog voltage or current output signals.

#### TECHNICAL DATA

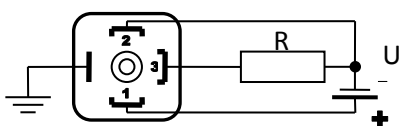
SMR (standard measure ranges) $p=p^+ - p^-$	0,1	0,2	0,5	1	2	5	10	20
Overpressure ( $p^+$ ) [bar]	2,5	2,5	2,5	3	4	7	15	30
Overpressure ( $p^-$ ) [bar]	1	1	1	1	2	3	5	10
Max. Static pressure [bar]	8	8	8	8	8	20	40	80

1. Power supply [VDC]	<ul style="list-style-type: none"> <li>• 15÷30 for output signal 0÷10V (three wires)</li> <li>• 10÷30 for output signal 0÷5V (three wires)</li> <li>• 5÷12 for output signal 0÷3V (three wires)</li> <li>• 10÷36 for output signal 4÷20 mA (two wires)</li> </ul>
2. Output signals	<ul style="list-style-type: none"> <li>• 4 ÷ 20mA <math>R_{obc} \leq (U_B - 10)V / 0,02A</math></li> <li>• 0 ÷ 10V <math>R_{obc} \geq 10\ k\Omega</math></li> <li>• 0 ÷ 5V <math>R_{obc} \geq 10\ k\Omega</math></li> </ul>
3. Accuracy [% MR]	• $\leq 0,5$ • $\leq 0,25$ • $\leq 0,1$
4. Long term stability:	$\leq 0,5\ %\ MR$
5. Temperature ranges [°C]	<ul style="list-style-type: none"> <li>• ambient -20 ÷ 80</li> <li>• medium -30 ÷ 130</li> <li>• storage -30 ÷ 80</li> </ul>
6. CTR (compensation temperature range)	0 ÷ 70°C
7. Accuracy within CTR	<ul style="list-style-type: none"> <li>• zero <math>\leq 0,25\ %\ MR / 10^\circ C</math></li> <li>• range <math>\leq 0,3\ %\ MR / 10^\circ C</math></li> </ul>
8. Enclosure protection:	<ul style="list-style-type: none"> <li>• IP65</li> <li>• IP68 (cable)</li> </ul>
9. Pressure connectors:	G $\frac{1}{4}$ "", M20x1,5 and others
10. Electrical connectors:	<ul style="list-style-type: none"> <li>• DIN43650</li> <li>• cable</li> </ul>
11. Materials	Diaphragm, case, pressure connectors: 316L

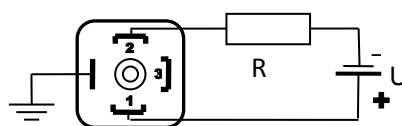


#### Schematic diagrams

Three wires connection



Three wires connection



**Peltron TPH Sp. z o.o. ul. Turystyczna 4, 05-462 Wiązowna**

☎ +48 (22) 615-63-56 📠 +48 (22) 615-25-70 📞 +48 (22) 615-70-78 ✉ peltron@home.pl

[www.peltron.pl](http://www.peltron.pl)