



DIFFERENTIAL PRESSURE TRANSDUCERS SERIES PXWD

Differential pressure transducers with LED display inbuilt, are used to measure differential pressure of gases and liquids also chemical aggressive. Using display, direct readout of measured pressure is possible at the place of measurement. Measuring element is a piezo-resistive sensor which is separated from medium by stainless steel diaphragm.

CHARACTERISTICS

- High stability and accuracy
- High reliability and durability
- Convenient pressure and electrical terminals
- Wide range of application

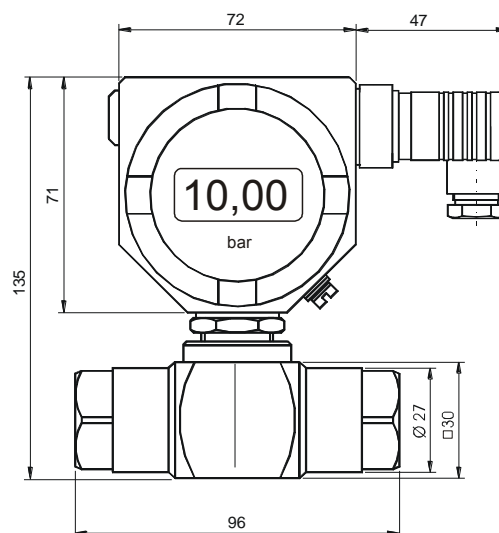
CONSTRUCTION

The basic element of this series is a piezo-resistive sensor placed in case made of stainless steel. Electronic board placed in head converts signal from this sensor to one of standard analog voltage or current output signals.

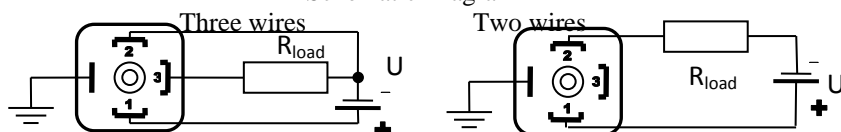
TECHNICAL DATA

| | | | | | | | | |
|--|-----|-----|-----|---|---|----|----|----|
| Pressure ranges $\Delta p = p^+ - p^-$ | 0,1 | 0,2 | 0,5 | 1 | 2 | 5 | 10 | 20 |
| Overpressure (p^+) | 2,5 | 2,5 | 2,5 | 3 | 4 | 7 | 15 | 30 |
| Overpressure (p^-) | 1 | 1 | 1 | 1 | 2 | 3 | 5 | 10 |
| Allowable static pressure | 8 | 8 | 8 | 8 | 8 | 20 | 40 | 80 |

| | | |
|-----|---------------------------------|---|
| 1. | Power Supply [VDC] | <ul style="list-style-type: none"> • 18,5÷36 for 4÷20 mA signal (two wires) • 15÷30 for others signals (three wires) |
| 2. | Output signals | <ul style="list-style-type: none"> • 4÷20mA $R_{load} \leq (U_B - 15) V / 0,02A$ • 0÷20mA $R_{load} \leq (U_B - 6) V / 0,02A$ • 20÷0mA $R_{load} \leq (U_B - 6) V / 0,02A$ • 0÷10V $R_{load} > 10 k\Omega$ • 0÷5V $R_{load} > 10 k\Omega$ |
| 3. | Accuracy | $\leq 0,5\% MR$ (option $\leq 0,25\% MR$) |
| 4. | Long term accuracy | $\leq 0,5\% MR / year$ |
| 5. | Temperature | <ul style="list-style-type: none"> • ambient ... -20 ÷ +80°C • medium -30 ÷ +130°C • storage ... -30 ÷ +80°C |
| 6. | Temperature error within 0÷50°C | <ul style="list-style-type: none"> • zero..... $\leq 0,2\% MR / 10^\circ C$ • range..... $\leq 0,3\% MR / 10^\circ C$ |
| 7. | Zero adjustment | 10% MR |
| 8. | Rangeability | 75%MR, 50%MR, 25%MR |
| 9. | Display | <ul style="list-style-type: none"> • 4÷20 mA: LED, red, 4 digits, 10 mm, • others: LED, red, 3½ digits, 10 mm, |
| 10. | Process connectors | <ul style="list-style-type: none"> • G½", • M20x1,5 • others |
| 11. | Electrical connection | DIN43650 |
| 12. | Materials | <ul style="list-style-type: none"> • Diaphragm, • process connectors... steel 316 • enclosure..... AL - alloy |
| 13. | Enclosure protection | IP 65 |
| 14. | Mass | 1300 g |



Schematic Diagram



Peltron TPH Sp. z o.o. ul. Turystyczna 4, 05-462 Wiązowna

☎ +48 (22) 615-63-56 ☎ +48 (22) 615-25-70 ☎ +48 (22) 615-70-78 ✉ peltron@home.pl

www.peltron.pl