



LVDT CONDITIONER WG06

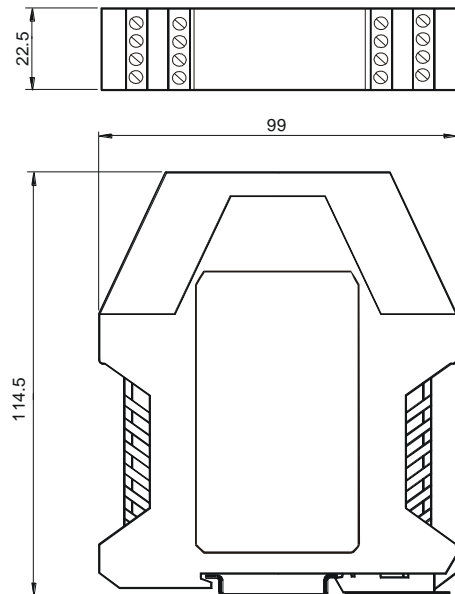
Measure amplifier/conditioner WG06 is designed to supply LVDT transducers AC/AC type, and to convert output signal from LVDT to one of the standard current or voltage signals fe. 4÷20mA or 0÷10V.

CHARACTERISTIC

It is rail-mounted device (housing IP40, clamps IP20, housing's width 22,5 mm) to fix on a rail 35 mm. WG06 is sold together with a LVDT transducer or as an independent measure module.

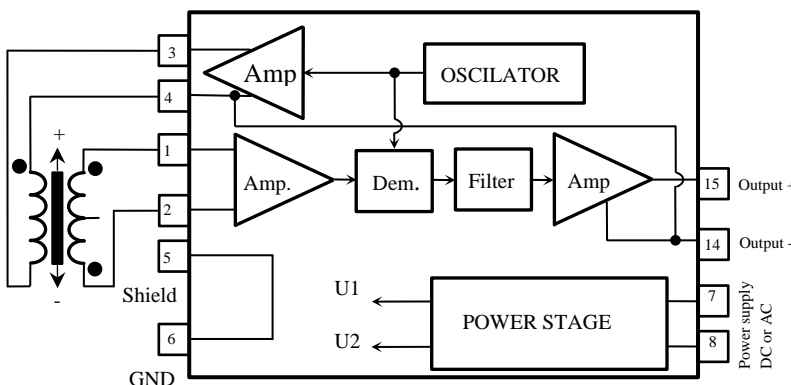
TECHNICAL DATA

1	Power supply	<ul style="list-style-type: none"> ● 21÷28 / 90mA (DC) ● 20÷25V/ 190mA (AC)
2	Output signals	<ul style="list-style-type: none"> ● ±10V ● 0÷10V ● 4÷20mA (without external power)
3	Input resistance	>100kΩ
4	Loading resistance	<ul style="list-style-type: none"> ● voltage output signal >2kΩ ● current output signal <500Ω
5	Accuracy	±0,12 % MR
6	Generator frequency	<ul style="list-style-type: none"> ● 5kHz/2Vrms ● 1kHz/2Vrms
7	Separation	Total
8	Isolation voltage	2kV, 50Hz, 1min
9	Temperature range	0 ÷ 60°C
10	Case [mm]	Rail 114,5 x 99 x 22,5



Schematic diagram

Dimension together with rail 35 mm



Peltron Towarzystwo Produkcyjno Handlowe Sp. z o.o.

ul. Turystyczna 4, 05-462 Wiązowna

tel. +48 (22) 615-63-56 fax: +48 (22) 615-70-78 email: peltron@home.pl

XIV Wydział Krajowego Rejestru Sadowego, Numer KRS 000190284, NIP 113-00-18-140, Regon: 006210883

