



LINEAR VARIABLE DISPLACEMENT TRANSDUCERS – Pjy series

This type of transducers contain measure amplifier inside. They are used to measure static linear displacement also to changes of length and thickness of materials, bending of machines and constructions.

CHARACTERISTICS

- Unguided core
- Amplifier inbuilt
- Weather and wear resistant (IP65)
- DC power supply

CONSTRUCTION

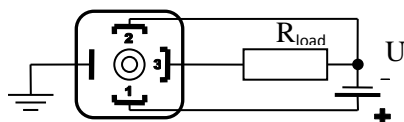
The LVDT is a cylindrical device consisting of one primary winding, two secondary windings and a moveable core. When the primary is powered and the core moved, the output is proportional to and in phase with the core movement.

TECHNICAL DATA

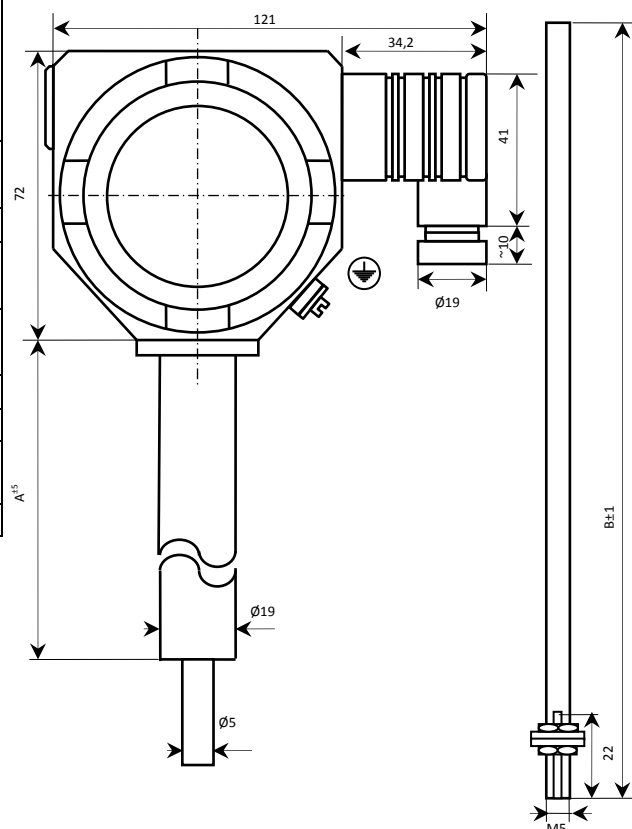
Transducer type	PJy20	PJy30	PJy50	PJy100	PJy200	PJy250	PJy300	PJy400
Measure range [mm]	±10	±15	±25	±50	±100	±125	±150	±200
A [mm]	111	131	161	261	361		491	591
B [mm]	215	225	245	345	455		565	665

1	Power supply [VDC]	18÷28 max 60 mA
2	Output signals	<ul style="list-style-type: none"> • ±10V • ±5V • 0÷10V • 0÷5V • 4÷20mA • 0÷20mA
3	Loading resistance	<ul style="list-style-type: none"> • $R_{load} \geq 2 \text{ k}\Omega$ for voltage signals • $R_{load} < 700 \Omega$ for current signals
4	Isolation resistance	$\geq 20 \text{ M}\Omega$
5	Accuracy	<ul style="list-style-type: none"> • $\leq 0,5\% \text{ MR}$ • $\leq 0,25\% \text{ MR}$
6	Ambient temperature [°C]	<ul style="list-style-type: none"> • 0÷80 • -20 ÷ 80 option
7	Temperature accuracy	0,02% / °C
8	Electrical connection	DIN43650
9	Case material	<ul style="list-style-type: none"> • body - AISI 304 • head – AL alloy
10	Spring	option

Schematic diagram



DIMENSIONS



Peltron Towarzystwo Produkcyjno Handlowe Sp. z o.o.

ul. Turystyczna 4, 05-462 Wiązowna

tel. +48 (22) 615-63-56 fax: +48 (22) 615-70-78 email: peltron@home.pl

XIV Wydział Krajowego Rejestru Sadowego, Numer KRS 000190284, NIP 113-00-18-140, Regon: 006210883

