



### LEVEL PROBE PLC64

Level probe PLC64's main application is measuring wastewater level, particularly thick or very thick and dirty water. Its main feature is a big vulcanized diaphragm. The water being measured can not be mixed with hard particles like small stones or various metal particles which can damage the diaphragm.

#### CHARACTERISTIC

- Big surface diaphragm
- Very high stability
- Many applications
- Very high reliability

#### CONSTRUCTION

The basic element of this series is a piezo-resistive sensor placed in case made of stainless steel. Electronic board converts signal from this sensor to one of standard analog voltage or current output signals.

#### DANE TECHNICZNE

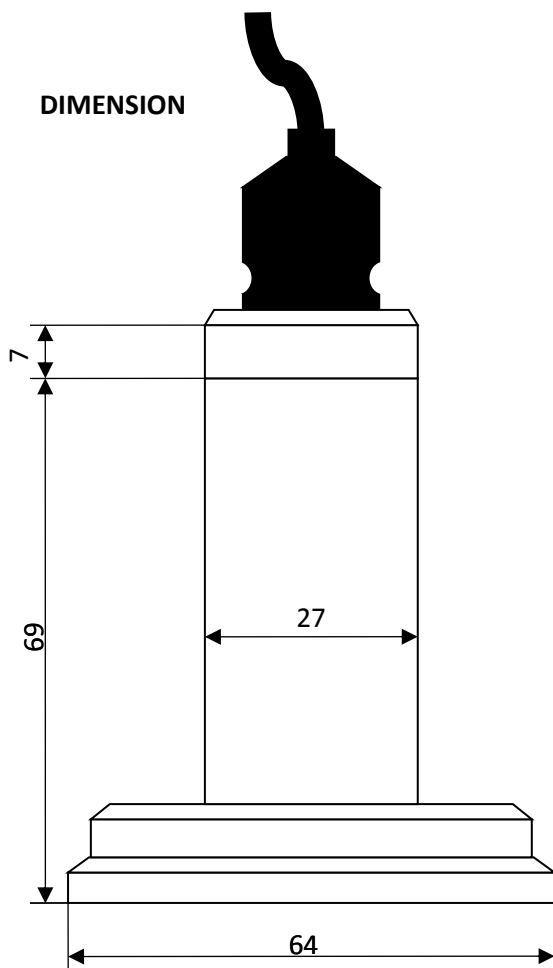
SMR [mH <sub>2</sub> O] (standard measure ranges)	0÷2	0÷4	0÷20
Overloading [mH <sub>2</sub> O]	1 x SMR	10 x SMR	5 x SMR

1	Power supply [VDC]	<ul style="list-style-type: none"> <li>• 15÷30 for signal ≤ 0÷10 V</li> <li>• 10÷30 for signal ≤ 0÷5 V (option)</li> <li>• 10÷36 for signal 4÷20 mA</li> <li>• 4,5÷12 for signal 0÷3V (low power)</li> </ul>
2	Output signals	<ul style="list-style-type: none"> <li>• 0÷10V <math>R_{load} \geq 10 \text{ k}\Omega</math><sup>1)</sup></li> <li>• 0÷5V <math>R_{load} \geq 10 \text{ k}\Omega</math><sup>1)</sup></li> <li>• 1÷5V <math>R_{load} \geq 10 \text{ k}\Omega</math><sup>1)</sup></li> <li>• 0÷3V <math>R_{load} \geq 10 \text{ k}\Omega</math><sup>1)</sup> (low power)</li> <li>• 4÷20 mA <math>R_{load} \leq (U-10)V/0,02A</math><sup>2)</sup></li> </ul>
3	Accuracy [% MR]	<ul style="list-style-type: none"> <li>• ≤ 0,5 ( for MR &gt; 2 mH<sub>2</sub>O )</li> <li>• ≤ 1 ( for MR ≤ 2 mH<sub>2</sub>O )</li> </ul>
4	Medium temperature	-20÷70°C ( no freezing)
5	TCR (temperature compensation range)	0÷50°C
6	Accuracy within TKR	<ul style="list-style-type: none"> <li>• zero ≤ 0,25 %/10<sup>0</sup>C</li> <li>• range ≤ 0,25 %/10<sup>0</sup>C</li> </ul>

<sup>1)</sup> three wires

<sup>2)</sup> two wires

#### DIMENSION



**Peltron Towarzystwo Produkcyjno Handlowe Sp. z o.o.**

ul. Turystyczna 4, 05-462 Wiązowna

tel. +48 (22) 615-63-56 fax: +48 (22) 615-70-78 email: [peltron@home.pl](mailto:peltron@home.pl)

XIV Wydział Krajowego Rejestru Sadowego, Numer KRS 000190284, NIP 113-00-18-140, Regon: 006210883

**PELTRON**  
www.peltron.pl