



## DIFFERENTIAL PRESSURE TRANSDUCERS PXD SERIES

Differential pressure transmitters of the PXD series are appropriated to measure differential pressure of liquids, vapours and gases, also chemical aggressive, in the range from 0.10 up to 20 bar. They are mainly using in the industrial measurement and automatic control equipment.

### CHARACTERISTICS

- High stability and accuracy
- High reliability and durability
- Convenient pressure and electrical terminals
- Wide range of application

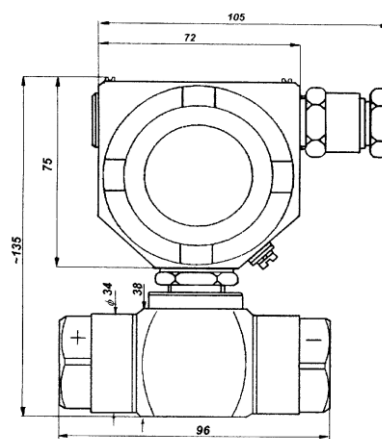
### CONSTRUCTION

The basic element of this series is a piezo-resistive sensor placed in case made of stainless steel. Electronic board placed in head converts signal from this sensor to one of standard analog voltage or current output signals.

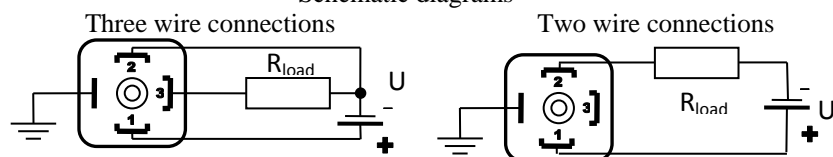
### DATA SHEET

SMR (standard measure range) $\Delta p = p^+ - p^-$	0,1	0,2	0,5	1	2	5	10	20
Overloading ( $p^+$ )	2,5	2,5	2,5	3	4	7	15	30
Overloading ( $p^-$ )	1	1	1	1	2	3	5	10
Max. static pressure [bar]	8	8	8	8	8	20	40	80

1.	Power supply [VDC]	15÷36 for 4÷20 mA (two wires) 15÷30 for others (three wires)
2.	Output signals	<ul style="list-style-type: none"> <li>• 4÷20 mA <math>R_{load} \leq (U-15V)/20mA \times 10^3 \Omega</math></li> <li>• 0÷20 mA <math>R_{load} \leq (U-6V)/20mA \times 10^3 \Omega</math></li> <li>• 20÷0 mA <math>R_{load} \leq (U-6V)/20mA \times 10^3 \Omega</math></li> <li>• 0÷10 V <math>R_{load} \geq 2k\Omega</math></li> <li>• 0÷5 V <math>R_{load} \geq 2k\Omega</math></li> </ul>
3.	Zero adjustment	<ul style="list-style-type: none"> <li>• +10% for current output signals</li> <li>• ±10% for voltage output signals</li> </ul>
4.	Range adjustment	±10%, option 75%, 50% and 25%
5.	Accuracy [% ZP]	• ≤0,5 • ≤0,25 • ≤0,1
6.	Temperature ranges [°C]	<ul style="list-style-type: none"> <li>• ambient 0÷70</li> <li>• medium 0 ÷ 130</li> <li>• storage -30 ÷ 80</li> </ul>
7.	CTR (compensation temperature range)	0 ÷ +70 °C
8.	Accuracy within CTR	<ul style="list-style-type: none"> <li>• Zero ≤ 0,25% [MR /10°C]</li> <li>• Range ≤ 0,25% [MR /10°C]</li> </ul>
9.	Pressure connectors:	• G <sup>1</sup> / <sub>4</sub> " • M20x1,5 • others
10.	Electrical connectors:	PG13,5; DIN43650; rail
11.	Materials	• case - AL alloy • pressure connectors - 316
12.	Enclosure protection	IP 65
13.	Mass	1,6 kg



### Schematic diagrams



**Peltron TPH Sp. z o.o. ul. Turystyczna 4, 05-462 Wiązowna**

☎ +48 (22) 615-63-56 📠 +48 (22) 615-25-70 📞 +48 (22) 615-70-78 ✉ peltron@home.pl

[www.peltron.pl](http://www.peltron.pl)