



### PRESSURE TRANSDUCERS PXM SERIES

Pressure transducers series PXM are used to very low-pressure measurement (overpressure and underpressure) in relation to ambient pressure - PXM and as differential pressure - PXMD. The media are dry gases (also fumes), in range from  $\pm 1,25$  to  $\pm 25$  mbar. The transducers are used mostly in measure systems, to regulate and drive technology processes.

#### CHARACTERISTIC

- High reliability
- Compact construction
- Small dimensions
- Variety of applications

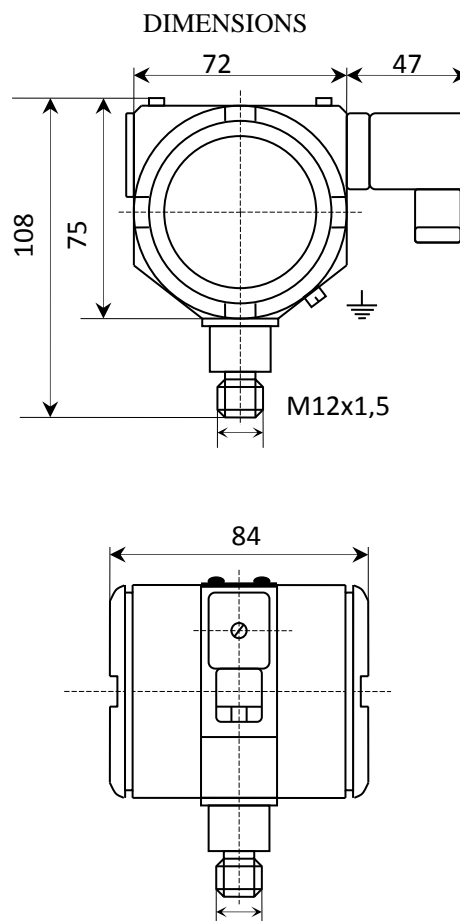
#### CONSTRUCTION

The basic element of this series is a capacity sensor placed in the enclosure made of Al. Alloy. There is also electronic board inside to convert sensor's signal to standard analog voltage or current signal.

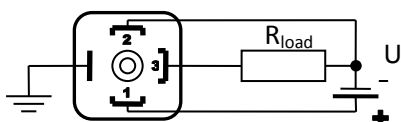
#### TECHNICAL DATA

Measure range [mbar]	$\pm 1,25$	$\pm 2,50$	$\pm 5,00$	$\pm 12,50$	$\pm 25,00$
Overloading [mbar]	$\pm 3,75$	$\pm 7,5$	$\pm 15$	$\pm 37,5$	$\pm 68$

1	Power supply [VDC]	19,5÷36
2	Output signals (three wires)	<ul style="list-style-type: none"> <li>• 4÷20mA</li> <li>• 0÷20mA</li> <li>• 0÷10 V</li> </ul>
3	Accuracy	$\leq 0,5\%$ MR
4	Long term accuracy	$\leq 0,5\%$ MR / year
5	Ambient temperature	10 ÷ +40°C
6	Temperature accuracy within +10 ÷ +40°C	<ul style="list-style-type: none"> <li>• range <math>\leq 1\%</math> MR /10°C</li> <li>• zero <math>\leq 1\%</math> MR/10°C</li> </ul>
7	Overloading resistance	<ul style="list-style-type: none"> <li>• <math>R_{load} \leq 700\Omega</math> for 4(0)÷20 mA</li> <li>• <math>R_{load} &gt; 2k\Omega</math> for 0÷10 V</li> </ul>
8	Working position	vertical
9	Position influence	around 2% MR
10	Pressure connectors	<ul style="list-style-type: none"> <li>• G<math>\frac{1}{4}</math>"</li> <li>• M12x1,5</li> <li>• others</li> </ul>
11	Electrical connector	DIN43650
12	Materials:	<ul style="list-style-type: none"> <li>• head - AL alloy</li> <li>• pressure connectors - 316</li> </ul>
13	Enclosure protection	IP 65
14	Mass	550 g



Electrical connection



**Peltron Towarzystwo Produkcyjno Handlowe Sp. z o.o.**

ul. Turystyczna 4, 05-462 Wiązowna

tel. +48 (22) 615-63-56 fax: +48 (22) 615-70-78 email: [peltron@home.pl](mailto:peltron@home.pl)

XIV Wydział Krajowego Rejestru Sadowego, Numer KRS 000190284, NIP 113-00-18-140, Regon: 006210883

