



### PRESURE TRANSDUCERS PXT SERIES

Pressure transducers PXT series are used to measure pressure of gases and liquids both neutral and chemical aggressive within range up to 1000 bar and temperature up to 250°C.

#### CHARACTERISTICS

- High temperature ranges
- High reliability
- All welded stainless construction
- High performance

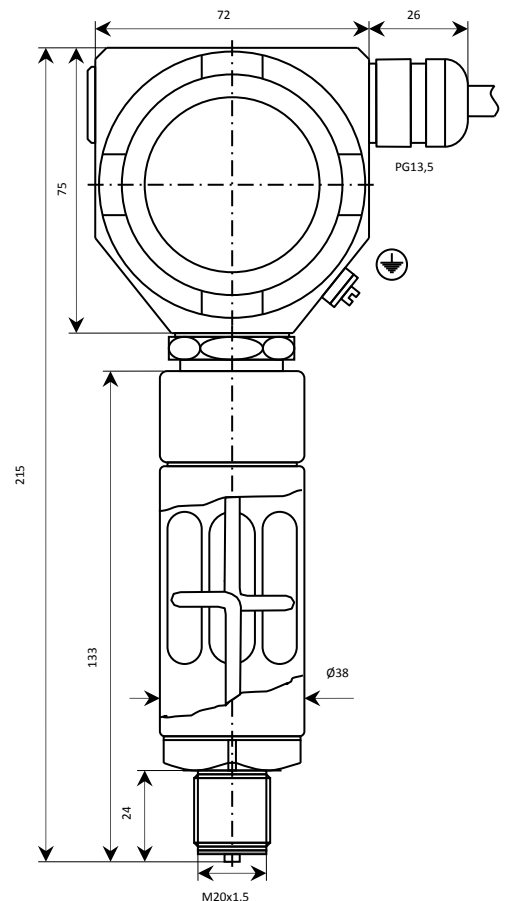
#### CONSTRUCTION

The basic element of this series is a piezo-resistive sensor placed in case made of stainless steel. Electronic board placed in head converts signal from this sensor to one of standard analog voltage or current output signals.

#### TECHNICAL DATA

Measure ranges [bar]	10	20	50	100	200	300	1000
Overloading [bar]	3 x MR				1,5 x MR	700	1100

1.	Power supply	15÷36 VDC
2.	Output signals	<ul style="list-style-type: none"> <li>• 4 ÷ 20 mA two wires</li> <li>• 0 ÷ 20 mA three wires</li> <li>• 20 ÷ 0 mA three wires</li> <li>• 0 ÷ 5 V three wires</li> </ul>
3.	Zero adjustment	<ul style="list-style-type: none"> <li>• +10% for current output signals</li> <li>• ±10% for voltage output signals</li> </ul>
4.	Loading resistance	<ul style="list-style-type: none"> <li>• <math>R \leq (U-15V)/20mA \times 10^3 \Omega</math> for 4÷20mA</li> <li>• <math>R \leq (U-6V)/20mA \times 10^3 \Omega</math> for others curr.</li> <li>• <math>R \geq 2k\Omega</math> for 0÷10 V and 0÷5 V</li> </ul>
5.	Accuracy [% MR]	<ul style="list-style-type: none"> <li>• ≤ 0,5</li> <li>• ≤ 0,25</li> </ul>
6.	Temperature range:	<ul style="list-style-type: none"> <li>• ambient - 0 ÷ 70°C</li> <li>• medium - 0 ÷ 250°C</li> <li>• storage -30 ÷ 80°C</li> </ul>
7.	Temperature compensation range CTR	<ul style="list-style-type: none"> <li>• 0 ÷ +70°C</li> <li>• -20+80 °C option</li> </ul>
8.	Accuracy within CTR	<ul style="list-style-type: none"> <li>• Zero ≤ 0,25% MR /10°C</li> <li>• Range ≤ 0,25% MR /10°C</li> </ul>
9.	Pressure connectors	<ul style="list-style-type: none"> <li>• DN36</li> <li>• M20x1,5</li> <li>• others</li> </ul>
10.	Electrical connectors	<ul style="list-style-type: none"> <li>• PG13,5</li> <li>• rail</li> </ul>
11.	Materials	<ul style="list-style-type: none"> <li>• Head AL alloy</li> <li>• Pressure connectors 316</li> </ul>
12.	Enclosure protection	IP 65
13.	Mass	1,6 kg



**Peltron TPH Sp. z o.o. ul. Turystyczna 4, 05-462 Wiązowna**

☎ +48 (22) 615-63-56 📠 +48 (22) 615-25-70 📞 +48 (22) 615-70-78 ✉ peltron@home.pl

[www.peltron.pl](http://www.peltron.pl)