



PRESSURE TRANSDUCERS PXW SERIES

Pressure transducers PXW series are piezo-resistive devices used to measure relative (PXWG) and absolute (PXWA) pressure of liquids, vapours and gases both neutral and chemical aggressive. Measuring ranges are from 0÷100 mbar to 0÷1000 bar. The main application is in measuring and controlling processes.

CHARACTERISTICS

- High reliability and accuracy
- Wide range of applications
- Display inbuilt
- Low weight

CONSTRUCTION

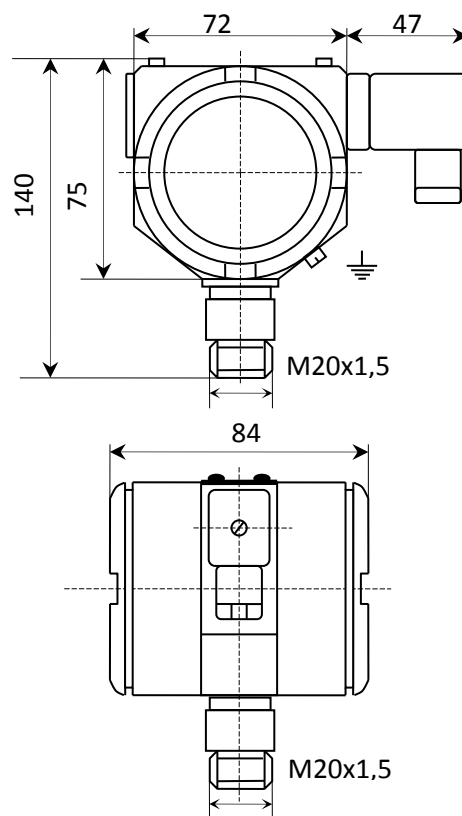
The basic element of this series is a piezoresistive sensor placed in the case made of stainless steel. Display and electronic board placed in the head converts sensor's signal to standard current or voltage output signal.

TECHNICAL DATA

SMR (Standard measure range) [bar]	-0,2	-0,5	0,2	0,5	1	5	10	20	100	200	300	1000
Overloading [bar]	2,5			3 x SMR			1,5 x SMR		700	1100		

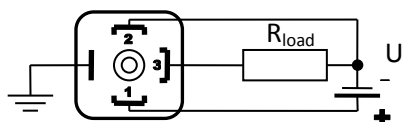
1. Power supply [VDC]	• 15÷28 for LED • 19,5÷36 for LCD
2. Output signals	• 4÷20 mA two wires • 0÷20 mA, 0÷10 V, three wires
3. MR zero adjustment	• +10% for current output signals • ±10% for voltage output signals
4. MR scope adjustment	±10%, option 75%, 50% and 25%
5. Loading resistance	• $R \leq (U-19,5V)/20mA \times 10^3 \Omega$ for signal 4÷20mA • $R \leq (U-6V)/20mA \times 10^3 \Omega$ for other output signals • $R \geq 2k\Omega$ for 0÷10 V and 0÷5 V
6. Linearity [% MR]	• ≤0,5 • ≤0,25 • ≤0,1
7. Ambient temperature [°C]	• 0÷60 for LCD • 0÷70 for LED
8. Temperary medium [°C]	-20 ÷ +120
9. CTR [°C] (compensation temperature range)	0 ÷ +70 option -20 ÷ +85
10. Temperature accuracy within CTR [%MR /10°C]	• Zero ≤ 0,25 • Range ≤ 0,25
11. Position influence	• for MR ≥ 1 bar to neglect • for MR ≤ 1 bar to adjustment
12. Pressure connectors	G ¹ / ₄ " , M20x1,5 and others
13. Electrical connectors	DIN43650
14. Materials	Case, pressure connectors, diaphragm - 316
15. Enclosure protection	IP 65
16. Mass.	1,6 kg
17. Range over signal	First LED blinking - „1”
18. Display	• 3,5 digit, LCD 8 mm dla 4÷20 mA • 3,5 digit LED mm for others
19. Max readout	1999
20. Accuracy	0,5% MR ±1 digit
21. Display units	bar, others to agree

DIMENSIONS

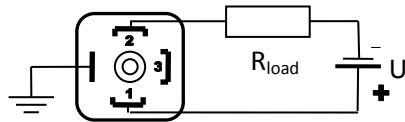


Schematic diagram

Three wires connection



Two wires connection



Peltron TPH Sp. z o.o. ul. Turystyczna 4, 05-462 Wiązowna

☎ +48 (22) 615-63-56 📠 +48 (22) 615-25-70 📞 +48 (22) 615-70-78 ✉ peltron@home.pl

www.peltron.pl